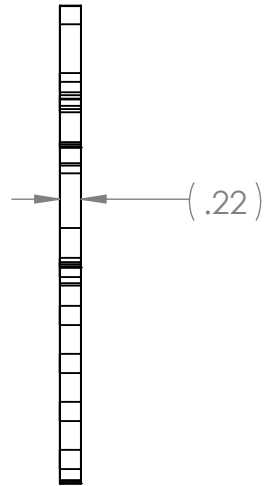
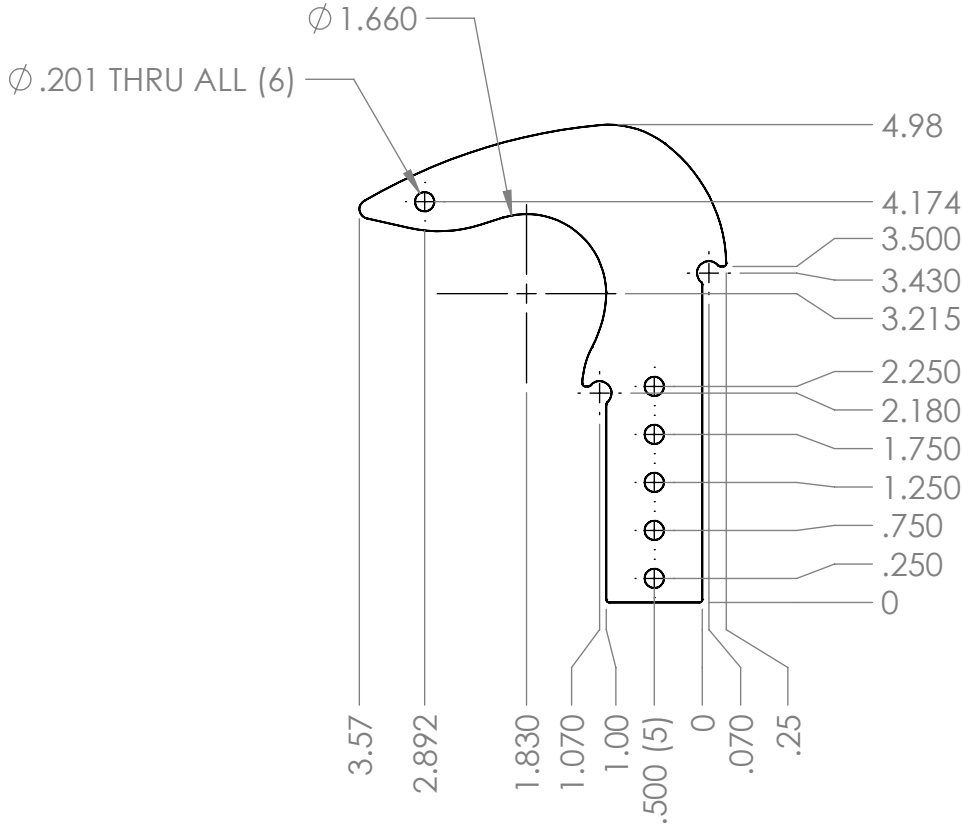
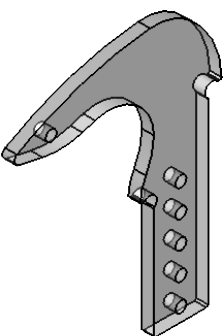



REVISION HISTORY			
REV.	DESCRIPTION	DATE	DRAWN BY
1	ORIGINAL PRINT	1/23/2026	P. YEUNG



*** SEE CAD FOR ADDITIONAL TOOLPATH INFO***



UNLESS OTHERWISE SPECIFIED:		COMMENTS:					
DIMENSIONS ARE IN INCHES		DUAL DIMENSIONS ARE IN MILLIMETERS.					
TOLERANCES: FRACTIONAL ±1/16 ANGULAR: MACH ±1° ANGULAR: BEND ±5° ONE PLACE DECIMAL ±0.1 TWO PLACE DECIMAL ±0.01 THREE PLACE DECIMAL ±0.005 FOUR PLACE DECIMAL ±0.0005		BREAK ALL SHARP EDGES.		TITLE: EVERYBOT 2026 HOOK			
MATERIAL	CLEAR PC m-0031a	CHECKED	NAME NM	DATE 1/27/26	SIZE A	DWG. NO. am-5804_hook	REV 1
FINISH	DEBURRED	ENG APPR.	MFG APPR.	Q.A.	SCALE: 1:2		SHEET 1 OF 1
DO NOT SCALE DRAWING							